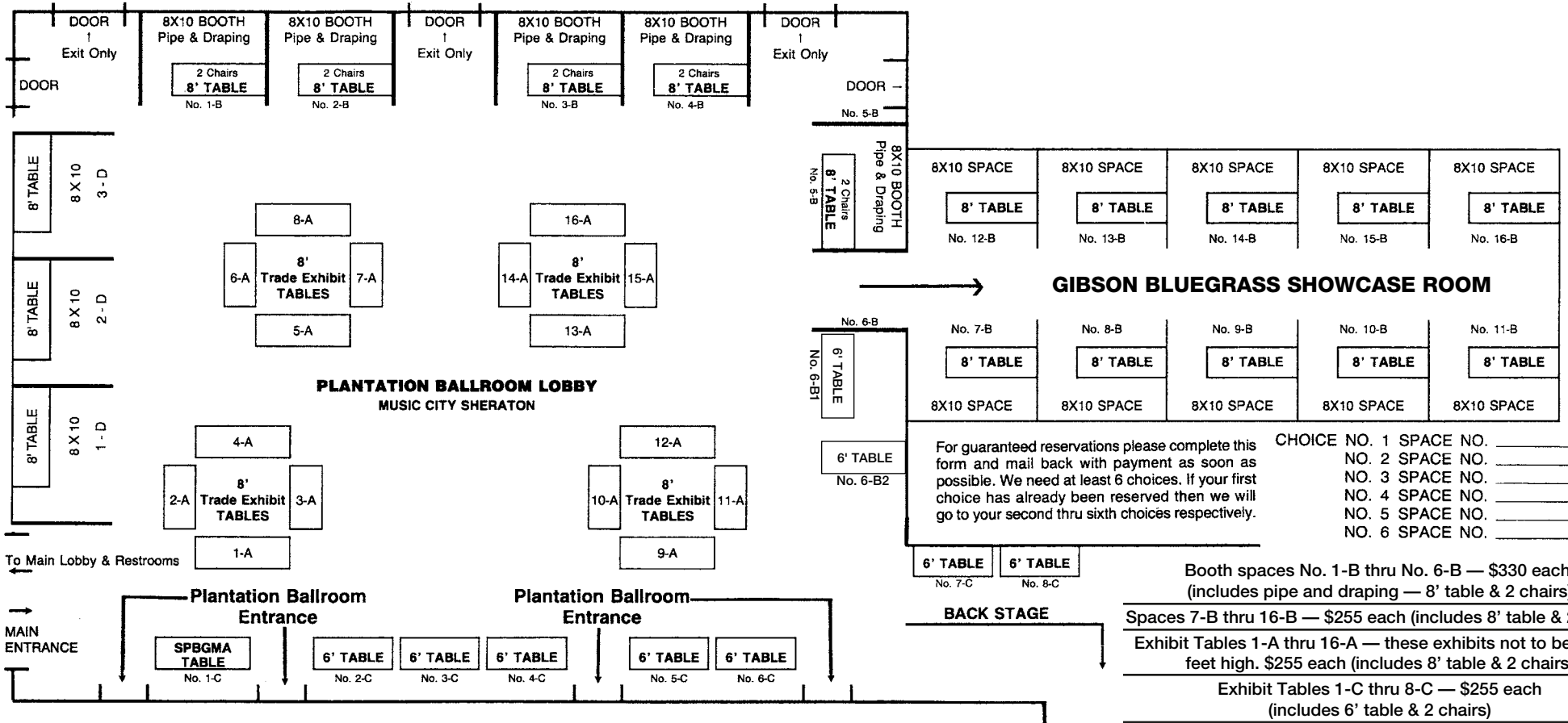


YR. _____ EXHIBITORS LAY-OUT DIAGRAM

SPBGMA

BLUEGRASS MUSIC AWARDS NATIONAL CONVENTION

Sheraton Music City Hotel - Nashville, TN



Company Name: _____

Contact Person Name: _____ Phone: () _____

Address: _____
 Street City State Zip

Email: _____

DO NOT FILL OUT THIS SQUARE - Confirmation Only	
Your _____	Choice has been reserved and confirmed.
Sign: _____	